

Figure 4. UFDFPN8 8-lead Ultra thin Fine pitch Dual Flat Package No lead 2x3 mm package outline

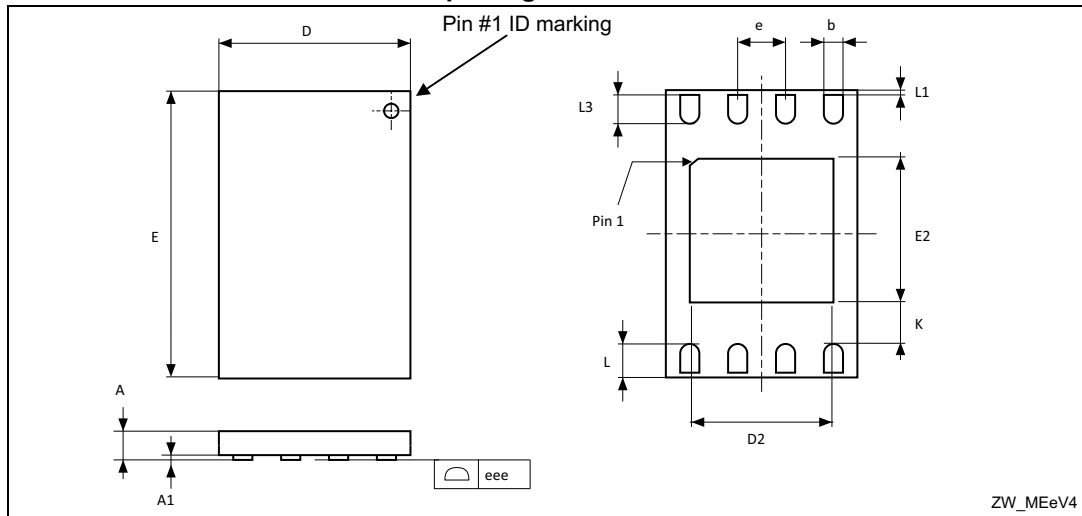


Table 2. UFDFPN8 8-lead Ultra thin Fine pitch Dual Flat Package No lead 2x3 mm mechanical data

Symbol	millimeters			inches ⁽¹⁾		
	Min	Typ	Max	Min	Typ	Max
A	0.45	0.55	0.6	0.0177	0.0217	0.0236
A1	0	0.02	0.05	0	0.0008	0.002
b	0.2	0.25	0.3	0.0079	0.0098	0.0118
D	1.9	2	2.1	0.0748	0.0787	0.0827
D2	1.2	-	1.6	0.0472	-	0.063
E	2.9	3	3.1	0.1142	0.1181	0.122
E2	1.2	-	1.6	0.0472	-	0.063
e	-	0.5	-	-	0.0197	-
K	0.3	-	-	0.0118	-	-
L	0.3	-	0.5	0.0118	-	0.0197
L1	-	-	0.15	-	-	0.0059
L3	0.3	-	-	0.0118	-	-
eee ⁽²⁾	-	0.08		-	0.0031	

1. Values in inches are converted from mm and rounded to four decimal digits.
2. Applied for exposed die paddle and terminals. Excludes embedding part of exposed die paddle from measuring.